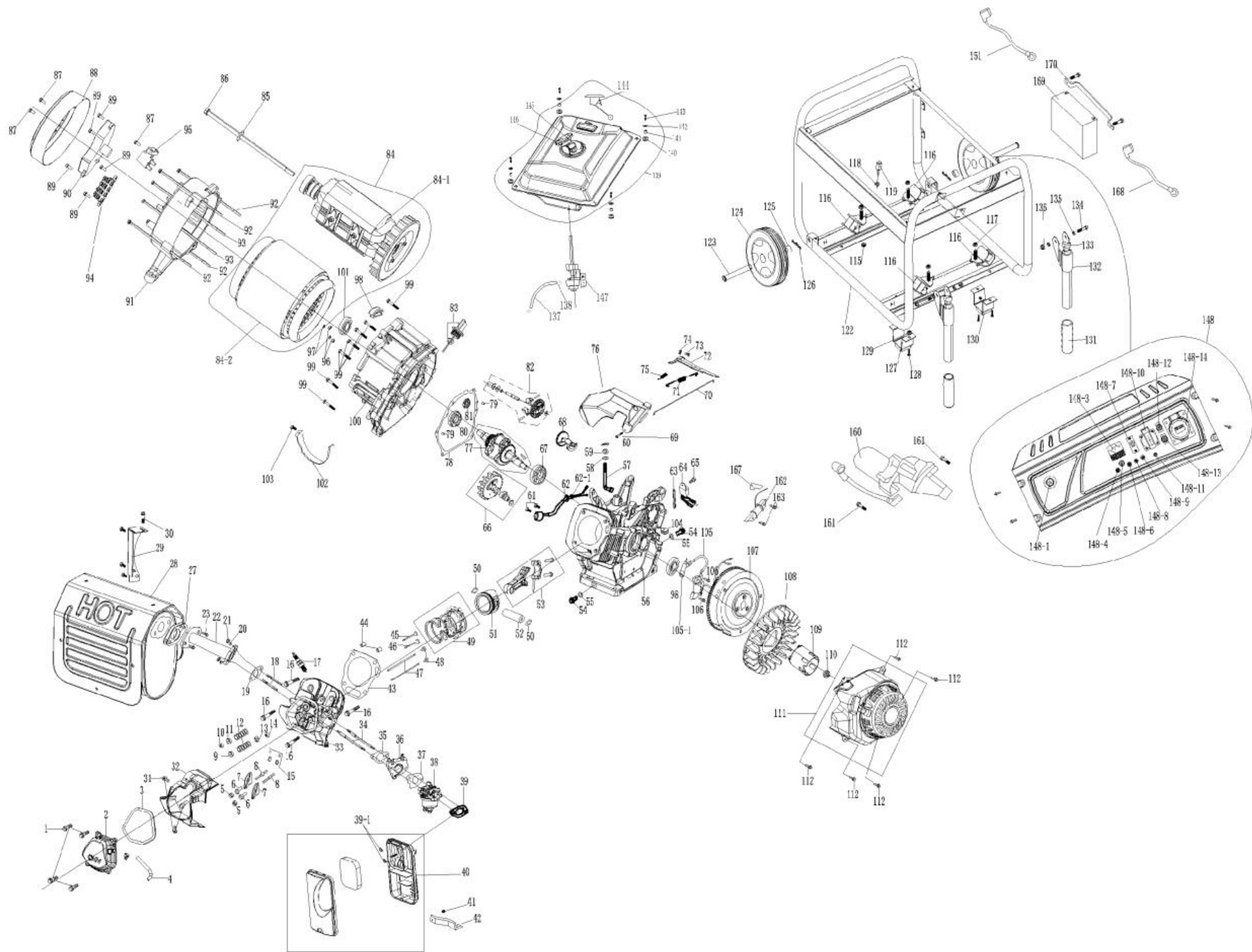




EXPLOZIE PIESE DE SCHIMB SK10000E





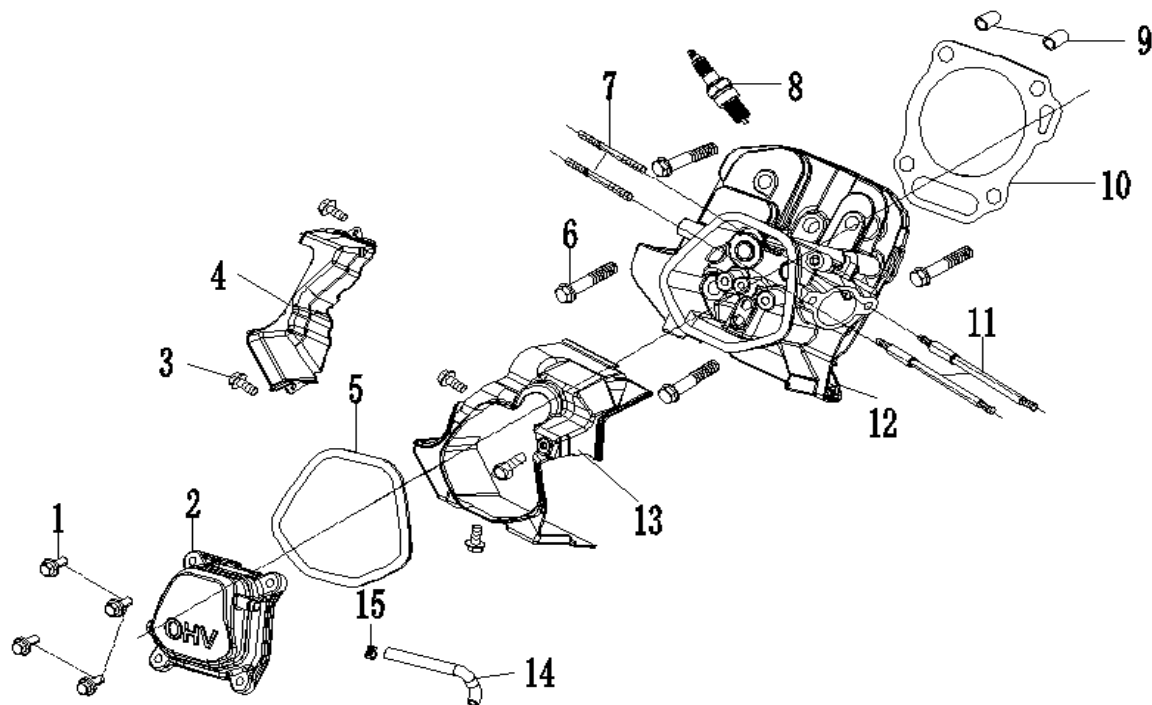
NO.		SPECIFICATION	QTY	NO.	PART NUMBER	SPECIFICATION	QTY
1		flange bolt assy.abnormit	1	75		spring return	1
2		cylinder head assy	1	76		governor assy	1
3		cylinder head gasket	1	77		crankshaft assy	1
4		waste gas pipe	1	78		crankshaft gasket	1
5		nut.pivot adjusting	2	79		dowel pin	2
6		rocker arm	2	80		bearing	1
7		arm.valve rocker	2	81		bearing	1
8		bolt pivot	2	82		governor assy	1
9		retainer.inlet valve spring	1	83		dipstick	1
10			1	84	20029-11775-00	alternator assy	1
11		rotator.valve	1	84-1	20256-02549-00	Rotor assy	1
12		spring valve	2	84-2	20046-05656-00	Stator assy	1
13		retainer.inlet exhaust valve spring	1	85	30136-00010-00	plain washer	1
14		oil seal.air inlet	1	86	30101-00110-00	flange bolt	1
15		plate.push rod guide	1	87	30101-00066-00	flange bolt	1
16		flange bolt	4	88	33082-00162-26	end cover,alternator	1
17		spark plug	1	89	30101-00066-00		5
18		stud bolt.exhaust	2	90	20044-00222-00	voltage regulator	1
19	33048-00094-00	muffler washer	1	91	33085-00058-00	alternator support	1
20	30139-00037-00	spring washer	2	92	30101-00090-00		4
21	30121-00040-00	hex nut	2	93	30100-00034-00	flange bolt	2
22	33339-00079-00	muffler component	1	94	20107-00018-00	wiring board	1
23	30101-00098-00		2	95	20183-00015-00	carbon brush	1
24			1	96	30128-00018-00	round nut	2
25			1	97	30139-00005-00	spring washer	2
26			1	98		rubber block	1
27	33048-00093-00	muffler washer	1	99		flange bolt	7
28	20202-00592-00		1	100		crank case cover assy	1
29	33004-00039-00		1	101		oil seal	1
30	30101-00356-00		4	102		wind cover,downside	1
31	30101-00070-00		1	103		flange bolt	3
32		wind against board	1	104		rubber fitting block	1
33		cylinder head assy	1	105		coil ignition assy	1
34		stud bolt.intake	2	105-1		spark plug cap	1
35		gasket.air inlet	1	106		flange bolt	2
36		carburetor connecting block	1	107		flywheel components	1
37		carburetor washer	1	108		cooling fan	1
38		carburetor assy	1	109		starting cup	1
39		air cleaner gasket	1	110		flange nut	1
39-1		flange bolt	2	111		recoil starter assy	1
40		air cleaner assy	1	112		flange bolt	5
41		flange bolt	1	115	30125-00027-00	flange nut	4
42		air cleaner support	1	116	34030-00039-00		4
43		gasket,cylinder head	1	117	30125-00003-00		4
44		dowel pin	2	118			1
45		valve.exhaust	1	119			1
46		valve.inlet	1	120		flange bolt	1
47		rod.push	2	121		/	/
48		lifter valve	2	122	20090-01433-01		1
49		piston ring components	1	123	34031-00020-00		2
50		piston pin clamp	1	124	20134-00063-09		2
51		piston	1	125			2
52		piston pin	1	126	34006-00020-00		2
53		connecting rod	1	127	20014-00154-00		2
54		drain plug	1	128	30101-00356-00		4
55		aluminium washer	1	129	30125-00003-00		4
56			1	130	34030-00081-00		2
57		shaft governor arm	1	131	33015-00008-00		2
58		washer plain	1	132	20135-00230-02		2
59		oil seal.swing bar	1	133	33015-00008-00		2
60		lock pin	1	134	30101-00374-00		2
61		flange bolt	1	135			4
62		oil sensor	1	136	30125-00002-00		2
63		metal clamp	1	137			0.17
64		oil alert	1	138			2
65		flange bolt	1	139	20130-00354-00		1
66		cam shaft assy	1	140		fuel tank assy	4
67		bearing	1	141		fuel tank rubber coat	4
68		balance shaft	1	142		fuel tank lining coat	4
69			1	143		fuel tank washer	4
70		speed control rod	1	144		flange bolt	4
71			1	145		oil level gauge	1
72		arm.governor	1	146		fuel filter	1
73			1	147	20133-00002-00	fuel tank cap	1
74		flange nut	1	148	20114-05392-00	fuel tank switch	1
				148-1			1
				148-2		/	/
				148-3		hour meter	1
				148-4			1
				148-5			1
				148-6			1
				148-7		circuit breaker	1
				148-8		engine oil indicator	1
				148-9			1
				148-10			1
				148-11		grounding bolt	1
				148-12			1
				148-13			1
				148-14			1
				149		/	/
				150		/	/
				151	20196-00344-00		1
				160		starting motor assy	1
				161		flange bolt	2
				162		charge coil	1
				163		flange bolt	2
				167		wire pressing plate	1
				168	20196-00345-00		1
				169	31002-00068-00		1
				170	20217-00022-00		1

EXPLOZIE PIESE DE SCHIMB MOTOR SK10000E

E-01	Cylinder head Control.....2~3	E-06	Carburetor.....11~12
E-02	Crankcase assy.....4~5	E-07	Recoil starter.....11~12
E-03	Crankcase cover.....6	E-08	Control system.....13
E-04	Crankshaft piston Air cleaner.....7	E-09	Flywheel.....14
E-05	Camshaft.....8~9	E-10	Air cleaner.....15

E-01

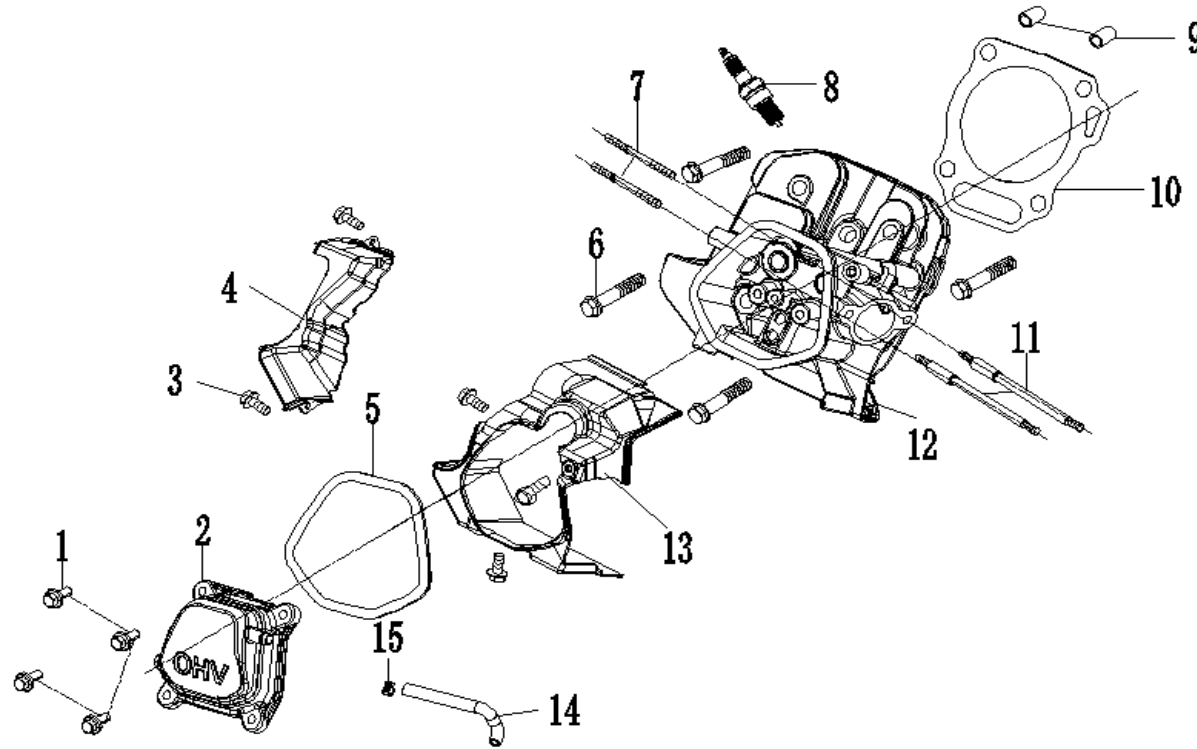
Cylinder head



NO.	Part NO.	Description			QTY	
			English	Price (USD)	SC460	N.W. (kg) /PC
1	30101-00071-00	M6*20	BOLT,M6×20		4	0.0075
2	20021-00018-02		COVER COMP.HEAD		1	0.2600
3	30101-00070-00	/M6*12	BOLT,M6×12		5	0.0030
4	34021-00014-00		WIND GUIDER		1	0.0400
5	33048-00154-00		GASKET,HEAD COVER		1	0.0010
6	30101-00289-00	M10*87	BOLT		4	0.0579
7	30110-00027-00		BOLT,STUD,EXHAUST		2	0.0111

E-01

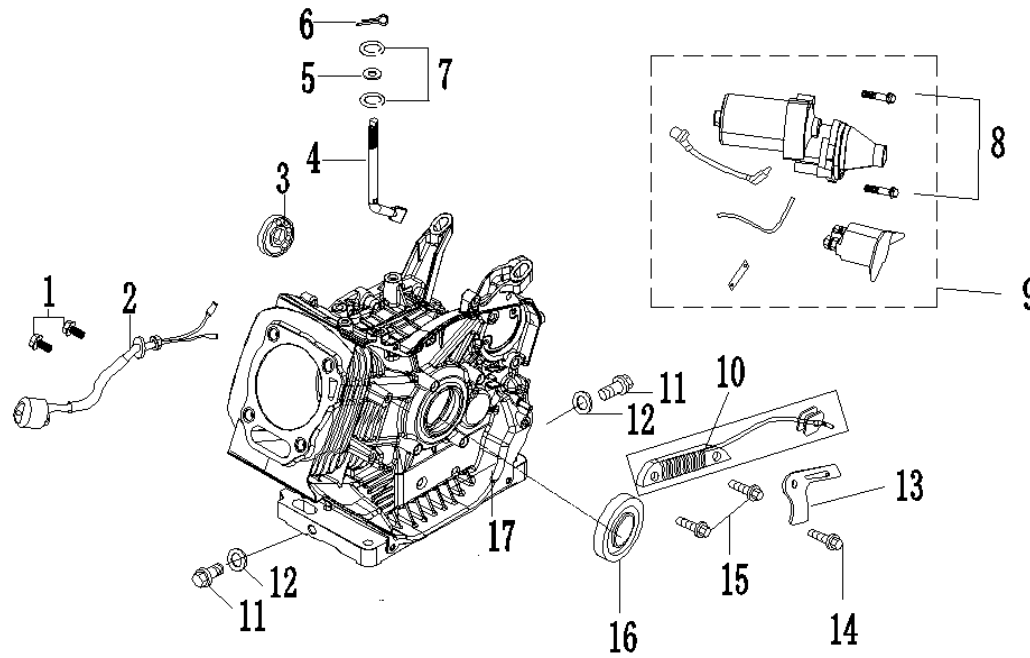
Cylinder head



NO.	Part NO.	Description		QTY	
		English	Price (USD)	AP190F	N.W. (kg) /PC
8	20027-00011-00	SPARK PLUG		1	0.0575
9	34006-00007-00	DOWEL PIN		2	0.0042
10	33048-00036-00	GASKET,HEAD COVER		1	0.0172
11	30110-00021-00	BOLT,STUD,INTAKE		2	0.0286
12	20023-00049-00	CYLINDER HEAD COMP		1	1.6851
13	34021-00061-02	SHROUD		1	0.1200
14	34023-00074-00	TUBE,BREATHER		1	0.0253
15	34024-00056-00	CLIP,FUEL PIPE		1	0.0025

E-02

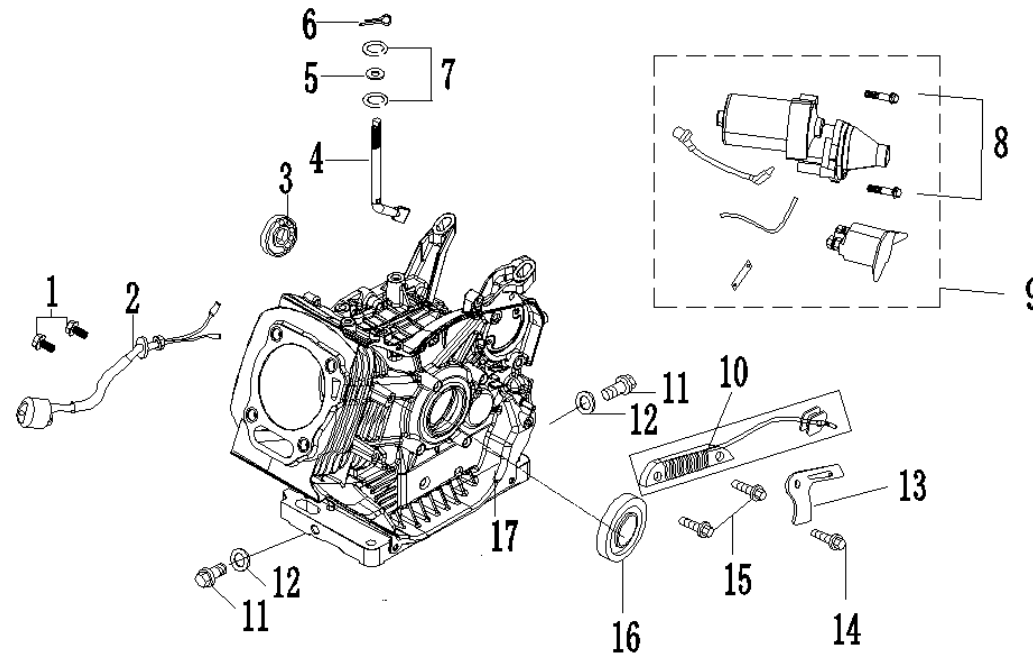
Crankcase assy



NO.	Part NO.	Description		QTY	
		English	Price (USD)	AP190F	N.W. (kg) /PC
1	30101-00342-00	M6×16	BOLT	2	0.0060
2	33247-00027-00		ENGINE OIL SENSOR	1	0.0459
3	30141-00112-00	6202)	BEARING	1	0.04477
4	34026-00005-01		SHAFT,GOVERNOR	1	0.03730
5	34007-00002-00		OIL SEAL	1	0.00105
6	34006-00017-00		PIN, LOCK	1	0.00060
7	30136-00095-00	Φ8*Φ17*1.0	WASHER	2	0.00120
8	30101-00461-00	M8×32	BOLT	2	0.02001
9	20149-00009-00		Start motor	1	1.80000

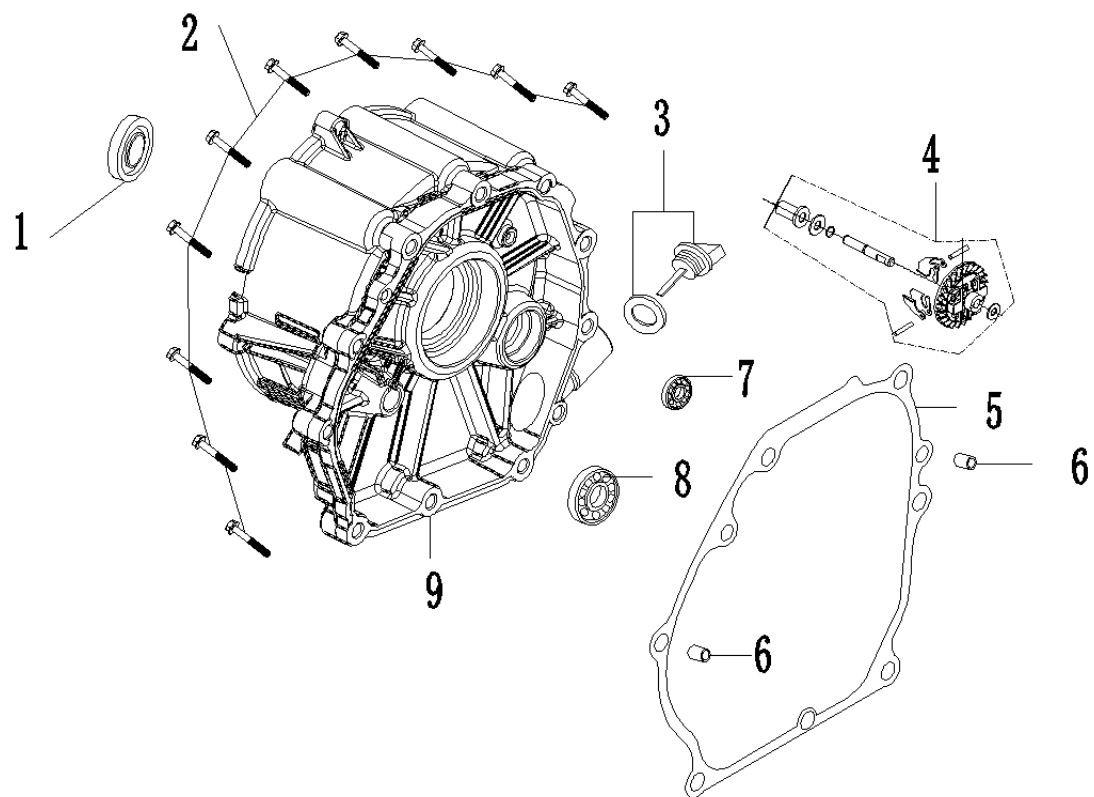
E-02

Crankcase assy

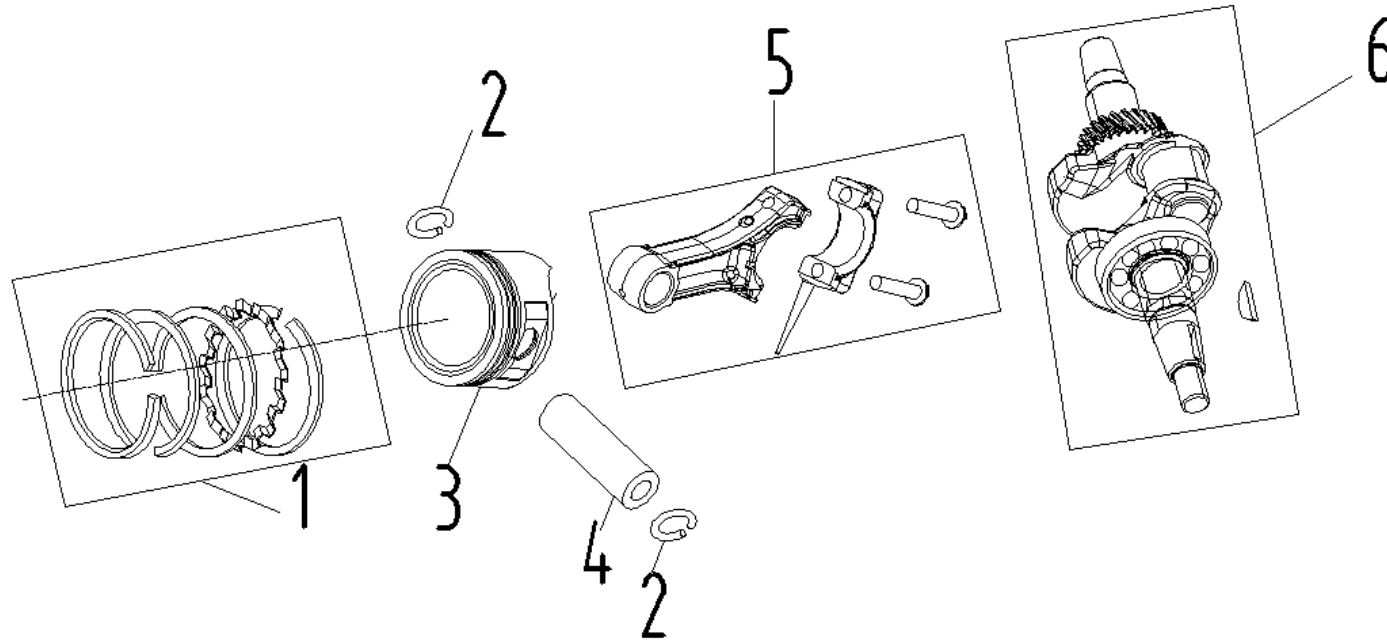


NO.	Part NO.	Description		QTY	
		English		AP190F	N.W. (kg) /PC
10	20009-00027-00		Charging coil	1	0.18500
11	30101-00514-00	M12×16	BOLT	2	0.02367
12	30136-00080-00		WASHER	2	0.00098
13	33593-00007-00		Wire pressing board	1	0.00118
14	30101-00070-00	M6×12	BOLT	3	0.00542
15	30101-00530-00	M6×30	BOLT	1	0.01020
16	34007-00012-00	φ 35* φ 52*8	OIL SEAL	1	0.01550
17	34011-00070-02		CRANKCASE	1	5.10815

E-03 Crankcase cover

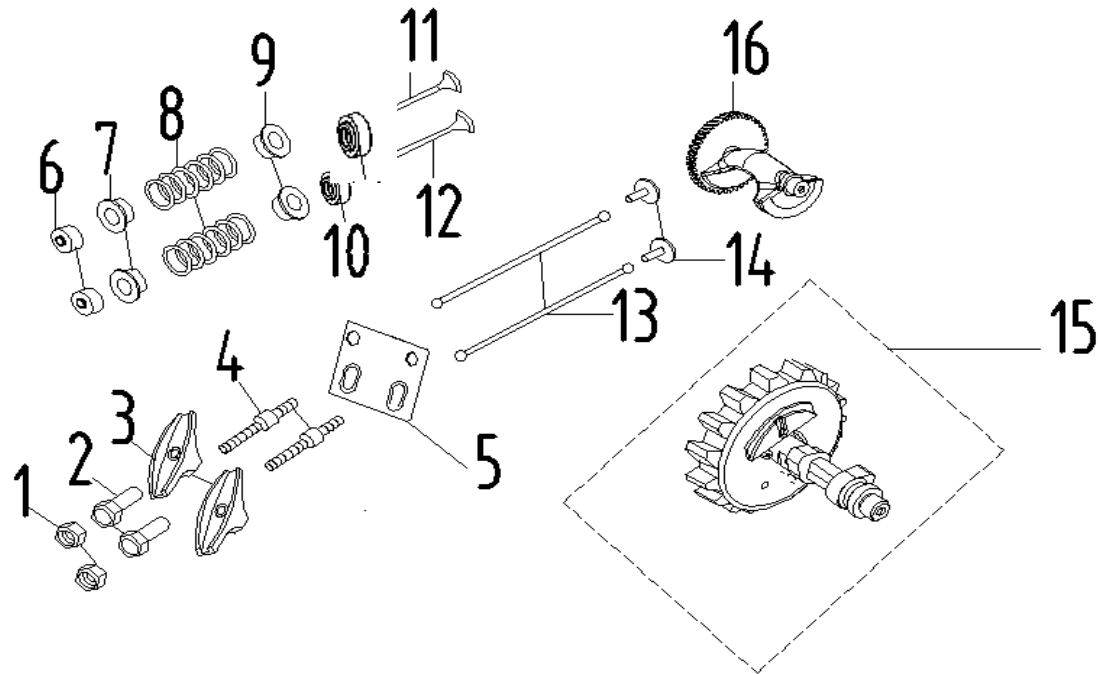


NO.	Part NO.	Description		QTY		
		English	Price (USD)	AP190F	N.W. (kg) /PC	
1	34007-00012-00	Φ35*Φ52*8	OIL SEAL		1	0.01550
2	30101-00370-00	M8×40	BOLT		10	0.02001
3	20026-00004-00		DIPSTICK ASSY		1	0.01912
4	20013-00004-00		GOVERNOR GEAR KIT		1	0.06245
5	33048-00066-00		GASKET,CRANKCASE COVER		1	0.00652
6	34006-00001-00		DOWEL PIN		2	0.00185
7	30141-00112-00	/6202	BEARING		1	0.04477
8	30141-00118-00	/6207	BEARING		1	0.28427
9	33129-00020-00		CRANKCASE COVER		1	1.58506

E-04**Crankshaft piston**

NO.	Part NO.	Description		QTY	
		English	Price (USD)	AP190F	N.W. (kg) /PC
1	20084-00011-00	RING SET,PISTON		1	0.03715
2	30150-00023-00	CLIP,PISTON PIN		2	0.00040
3	34004-00018-00	PISTON		1	0.30451
4	34006-00015-00	PIN,PISTON		1	0.06652
5	20008-00009-00	CONNECTING ROD ASSY		1	0.26885
6	20011-00063-00	CRANKSHAFT ASSY		1	3.96584

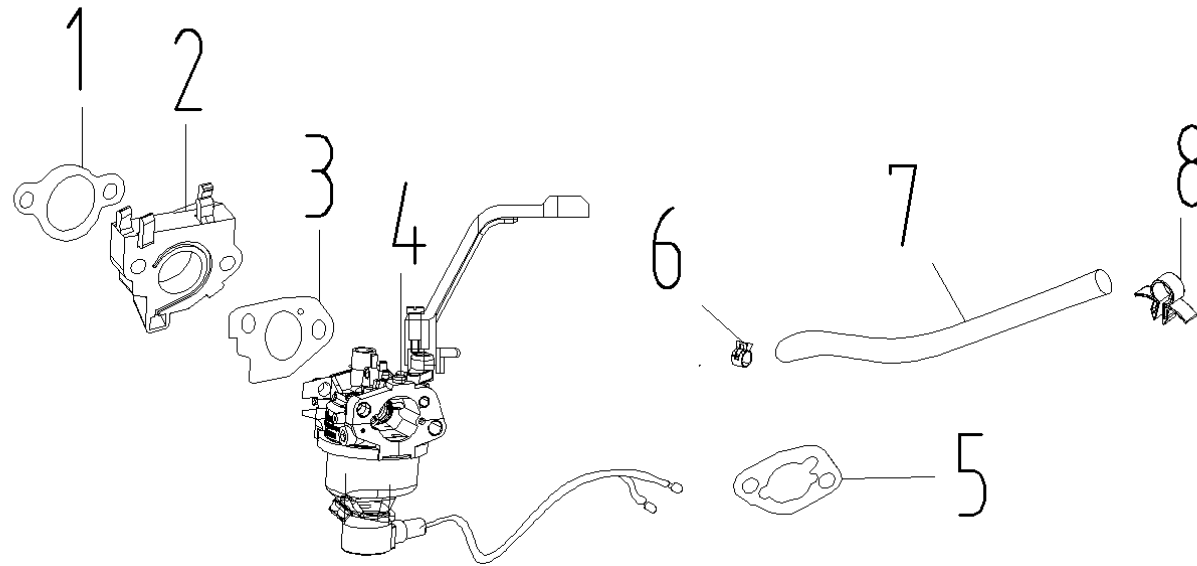
E-05 Camshaft



NO.	Part NO.	Description		QTY	
		English	Price (USD)	AP190F	N.W. (kg) /PC
9	34016-00008-00	RETAINER,VALVE BOTOW		2	0.00218
10	34007-00001-00	OIL SEAL		2	0.00115
11	34013-00034-00	VALVE,EXHAUST		1	0.04732
12	34013-00080-00	VALVE, INTAKE		1	0.05185
13	34020-00010-00	PUSH ROD		2	0.02571
14	34008-00006-00	LIFTER, VALVE		2	0.02991
15	20012-00015-00	CAMSHAFT,ASSY		1	0.77520
16	34033-00008-00	BALANCE SHAFT		1	0.76891
1+2+3+4	34019-00076-00			1	

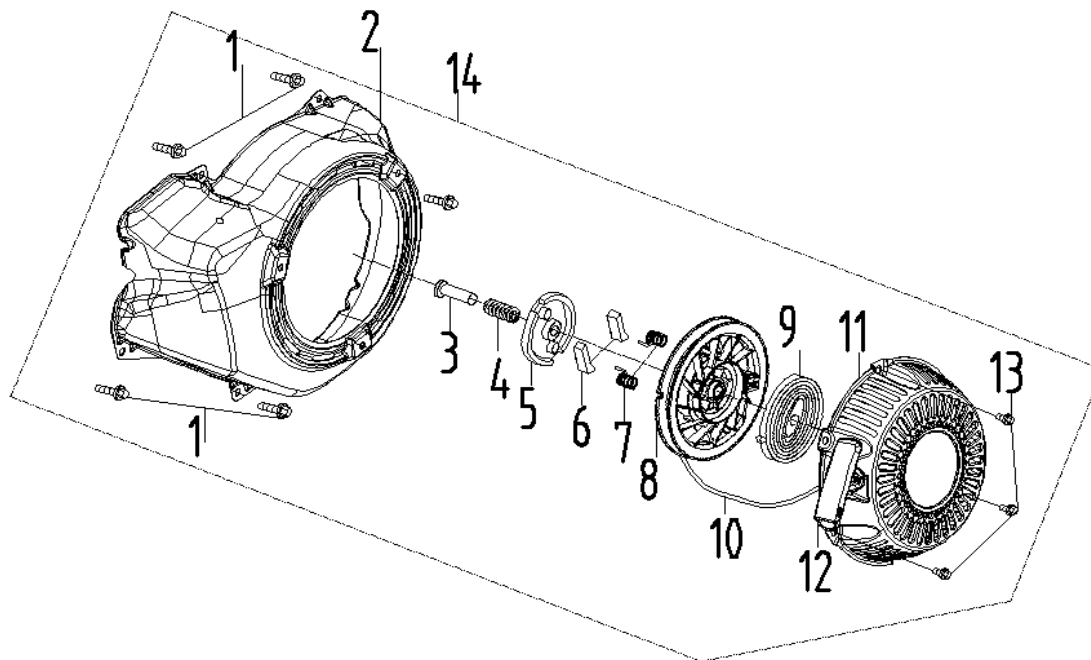
E-06

Carburetor



NO.	Part NO.	Description		QTY	
		English	Price (USD)	AP190F	N.W. (kg) /PC
1	33048-00053-00	GASKET,INTAKE		1	0.00055
2	34012-00014-00	INSULATOR,CARBURETOR		1	0.04701
3	33048-00078-00	GASKET,CARBURETOR		1	0.00105
4	20024-00111-00	CARBURETOR		1	0.38663
5	33048-00047-00	GASKET,AIR CLEANER		1	0.00100
6	34024-00002-00	CLIP,FUEL PIPE		1	0.00101
7	34023-00004-00	FUEL PIPE		0.180m	0.03567
8	34024-00008-00	CLIP,FUEL PIPE		1	0.00059

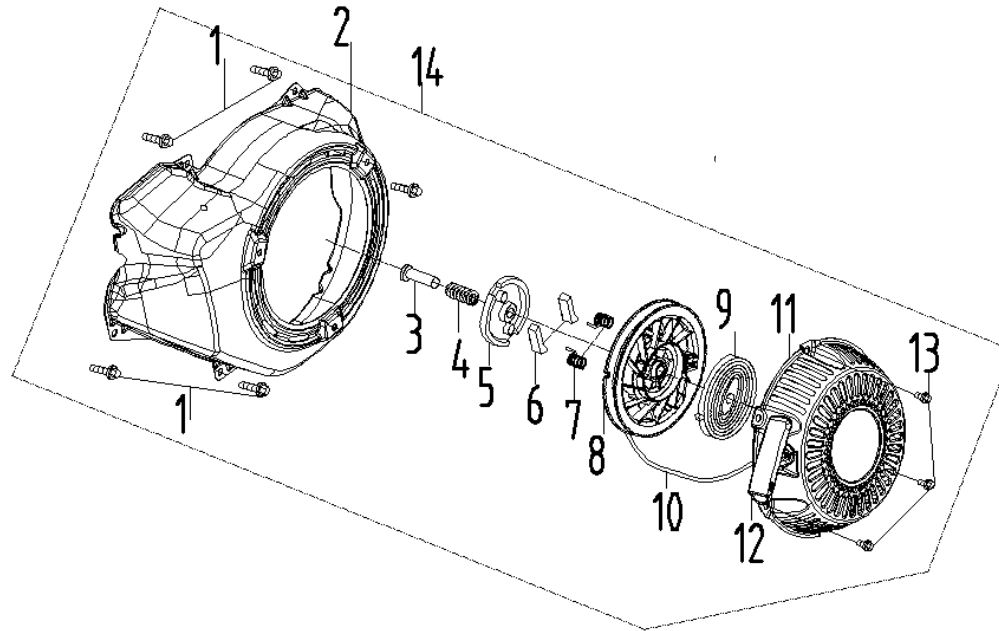
E-07 反冲起动器总成 Recoil starter



NO.	Part NO.	Description		QTY	
		English	Price (USD)	AP190F	N.W. (kg) /PC
1	30101-00070-00 M6×12	BOLT,M6×12		5	0.00542
2		WIND GUIDER,RECOIL		1	0.77698
3		SCREW,SETTING		1	0.00715
4		SPRING,FRICITION		1	0.00134
5		GUIDE,RATCHET		1	0.02193
6		RATCHET,STARTER		2	0.00917
7		SPRING,RETURN		2	0.00031

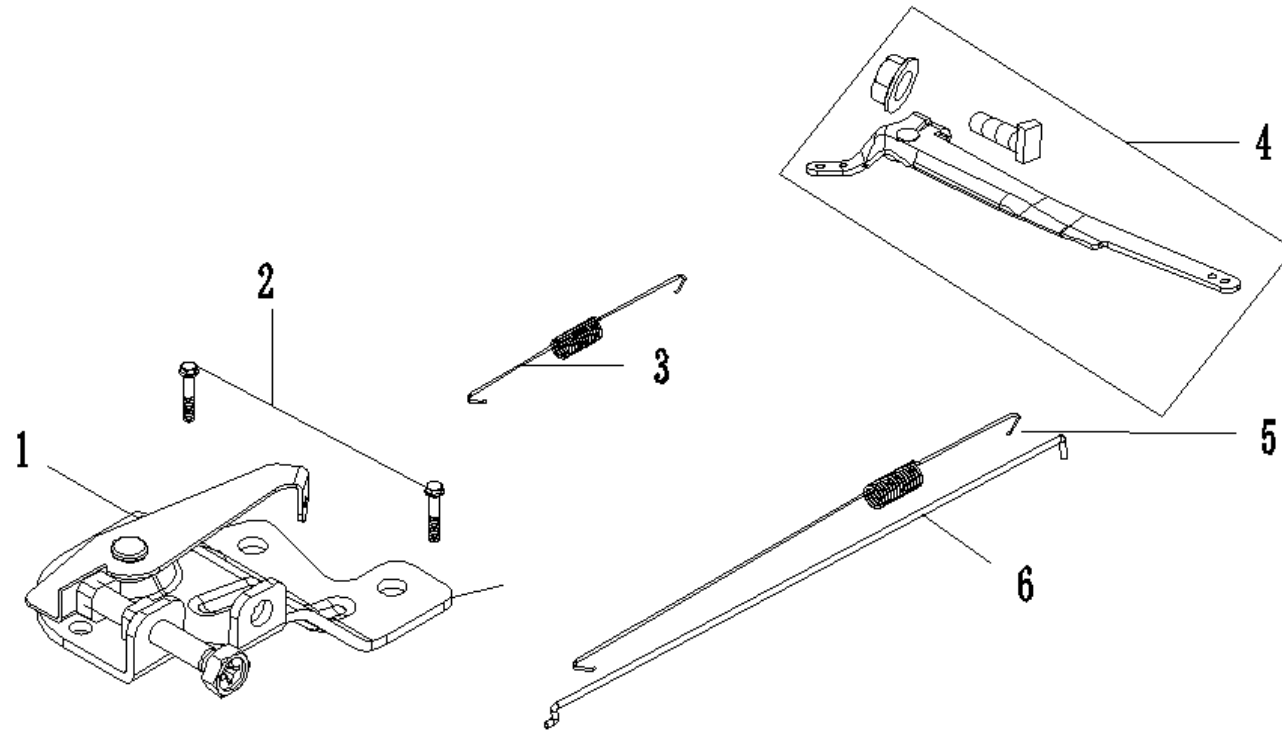
E-07

Recoil starter



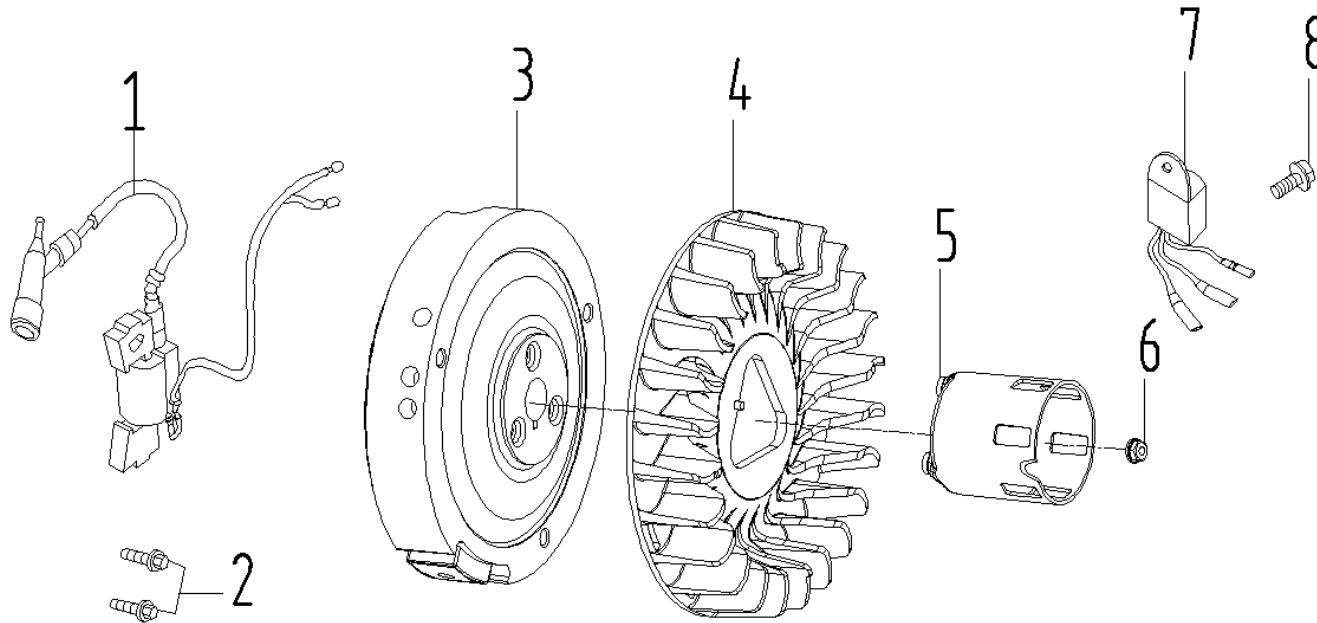
NO.	Part NO.	Description		数量 QTY	
		English	Price (USD)	AP190F	N.W. (kg) /PC
8		REEL,RECOIL STARTER		1	0.12821
9		SPRING,RECOIL STARTER		1	0.05931
10		ROPE,RECOIL STARTER		1	0.02318
11		COVER COMP		1	0.38554
12		KNOB,RECOIL STARTER		1	0.02534
13		BOLT,FLANGE		3	0.00389
14	20010-00393-02	RECOIL STARTER COMP		1	1.47352

E-08 Control



NO.	Part NO.	Description		QTY	
		English	Price (USD)	AP190F	N.W. (kg) /PC
1	20022-00018-00	SPEED CONTROL,ASSY		1	0.37805
2	30101-00070-00 M6×12	BOLT		2	0.00542
3	34015-00020-00	SPRING,CABLE RETURN		1	0.01054
4	34025-00007-00	HANDLE,SPEED CONTROL		1	0.05691
5	34015-00010-00	SPRING,THROTTLE RETURN		1	0.00073
6	34026-00008-00	ROD,GOVERNOR		1	0.00748

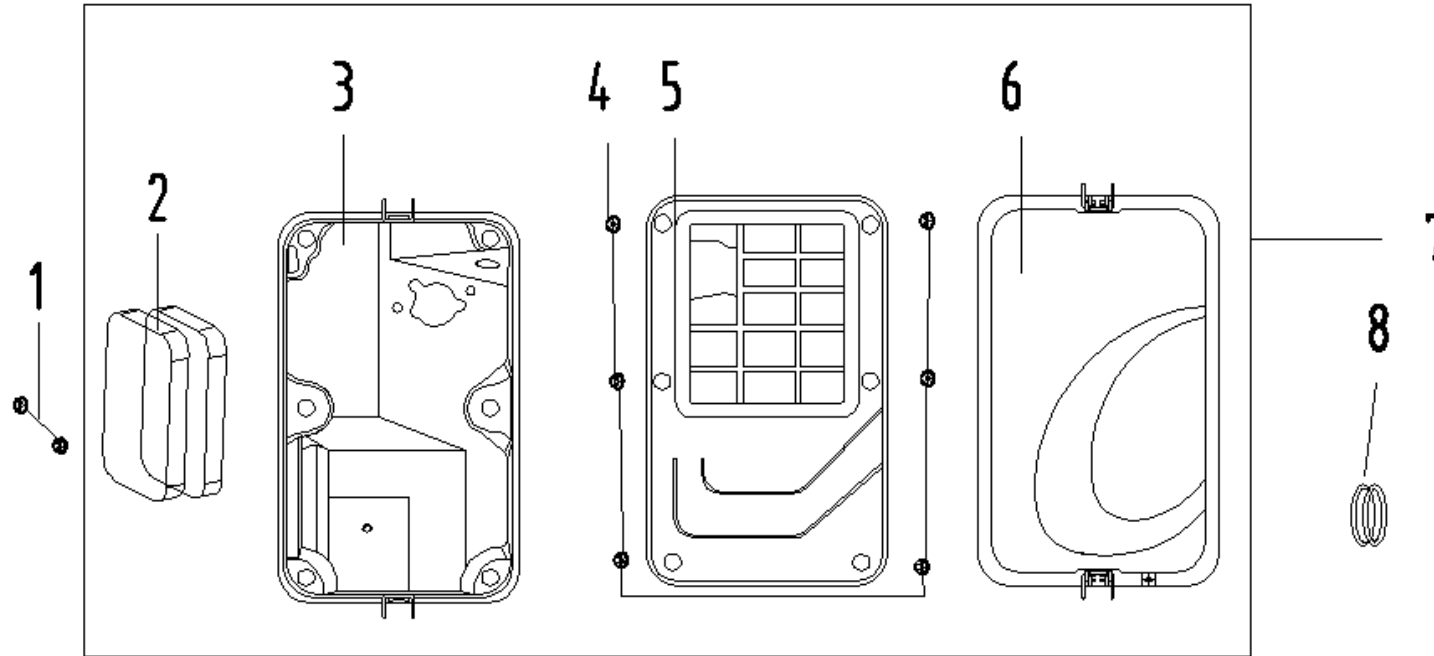
E-9 Flywheel



NO.	Part NO.	Description		QTY	
		English	Price(USD)	AP190F	N.W. (kg) /PC
1	20028-00029-00	WIRE,ENGINE SWITCH		1	0.25048
2	30101-00408-00 6×25	BOLT,FLANGE		2	0.00771
3	20051-00020-00	FLYWHEEL COMP		1	5.35521
4	33155-00042-00	FAN COOLING		1	0.18622
5	34022-00028-00	PULLEY,STARTER		1	0.19105
6	30125-00064-00 M16	NUT SPECIAL		1	0.03471
7	33246-00003-00	OIL ALARM		1	0.02951
8	30101-00070-00 M6×12	BOLT,FLANGE		1	0.00542

E-10

Air cleaner



NO.	Part NO.	Description		QTY	
		English	Price (USD)	AP190F	N.W. (kg) /PC
1	30125-00002-00	BOLT,FLANGE		2	0.00304
2		ELEMENT ASSY,AIR CLEANER		2	0.01354
3		COVER,AIR CLEANER		1	0.36981
4		BOLT,FLANGE		6	0.00168
5		SUPPORT,ELEMENT		1	0.24741
6		BASE COMP,AIR CLEANER		1	0.39445
7	20025-00039-00	AIR CLEANER ASSY		1	1.04536
8	33015-00039-00	SLEEVE,FUEL PIPE		1	0.00101